

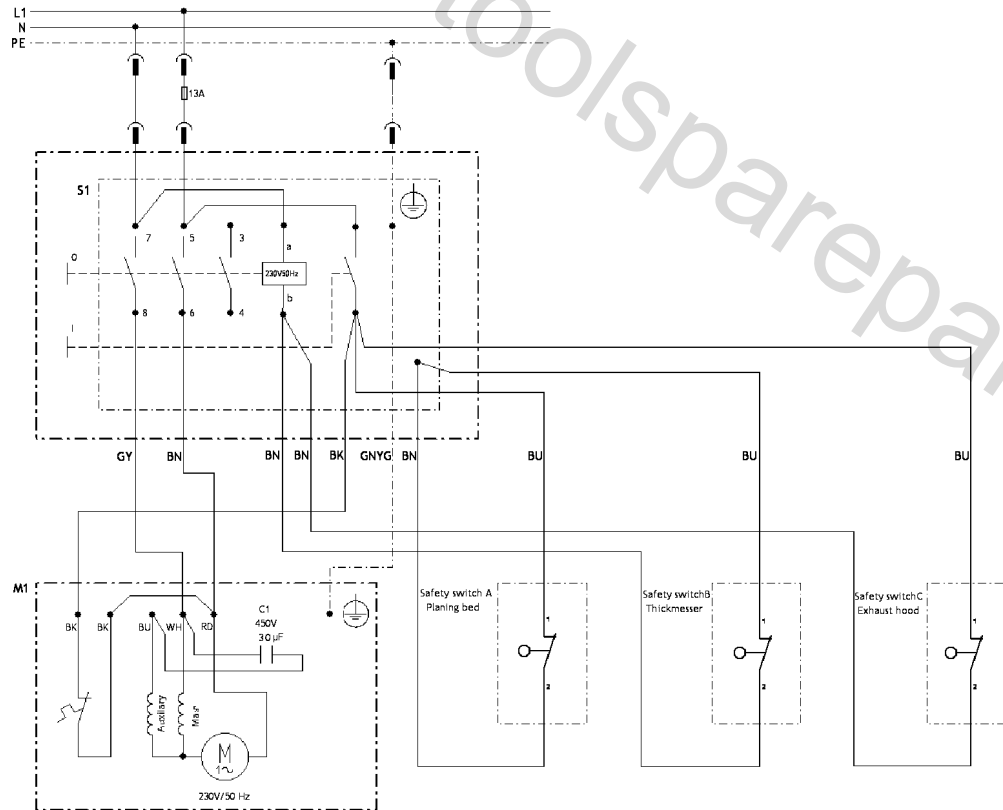
Position	Amount	Type number	Description	PG
100	1	1380717421	JOINTING TABLE 286,6X525 HC260C	50
101	1	1485210365	STRAINING SCREW M 6X11 SW10	12
102	1	1011717434	CUTTERBLOCK WEDGE 1SATZ=2STÜCK HC260C	24
103	1	6503029250	CLAMPING SLEEVE 5X10 MIT EINER FASE	10
104	1	6164029245	Grub screw w.internal hexagon	10
105	1	0911030713	Disposable PLANER BLADE,PAIR 18,6X1X260	
106	1	1385717446	CUTTERBLOCK RD 62,5X439 HC260C	48
107	1	1380717456	SIDE PANEL HC260C	50
108	1	6123002049	RAISED CHEESE HEAD SCREW	10
109	1	1482717469	RECTANGULAR WASHER FL 14X2,5X49 HC260C	11
110	1	141131010	Hexagonal nut	10
111	1	141113890	Cap screw	12
114	1	6503001681	Tightening pin	10
115	1	1482717515	SPACER STRIP FL 22X4X190 HC260C	18
116	1	7007717479	PALM GRIP D=42 / BUCHSE 10 HC260C	18
117	1	7053010100	CUP SPRING 23X10,2X0,9	10
118	1	6410147244	SHAFT COLLAR A 11 VERZ.	14
119	1	1385717497	THREADED ROD M 10/60X450 HC260C	16
120	1	6127059193	HEXAGON SOCKET HEAD CAP SCREW	10
121	1	1482717507	SPACER STRIP FL 22X4X190 HC260C	18
122	1	141121940	Cap screw	12
123	1	141113990	Cap screw	12
124	1	6131059530	CROSS RECESSED FLAT HEAD SCREW	10
125	1	1482717523	COVER STRIP FL 26,5X4X180 HC260C	18
126	1	7053016795	Cup spring	10
127	1	141111420	Fillister head screw	12
128	1	1382718360	CRANK HC260C	21
129	1	141130100	Hexagonal nut	10
130	1	1485717540	THREADED ROD TR 14X3X365 HC260C	22
131	1	1385717551	THREADED ROD TR 14X3X229,5 HC260C	21
132	1	6501007275	GROOVED DOWEL PIN 3X16	10
133	1	6103008717	HEXAGON HEAD SCREW M 6X80 VERZ.	10
134	1	1381717565	GLIDE PIECE HC260C	16
135	1	6300016705	Washer	10
136	1	1385717578	OUTFEED ROLLER RD 25X360,5 HC260C	31
137	1	1485717583	SPACER SHAF RD 20X295 HC260C	22
138	1	1485717591	Feed roller coarse RD 25X360,5 HC260C	30
139	1	6123022619	RAISED CHEESE HEAD SCREW	10
140	1	6161067090	HEX. SOCKET SET SCREW, FLAT PT M 5X5	10
141	1	1385717608	CHECK NUT 30X30X22 TR 14X3 HC260C	22
142	1	1011717612	THICKNESSER BED HC260C	50

143	1	1382718379	Sheet piece (nose)	13
144	1	1380717626	WASHER 22X22 HC260C	12
145	1	7051717630	PRESSURE SPRING HC260C	11
146	1	141151340	Washer	10
147	1	6102001093	HEXAGON HEAD SCREW M 8X80 VERZ.	10
148	1	6160151542	SLOTTED HEADLESS SCREW M 8X16 VERZ.	12
149	1	6143025088	RAISED CHEESE HEAD SCREW M 4X8 VERZ. DUO	10
150	1	1141717649	SCALE 0,60X16X170 HC260C	15
151	1	6306017266	SHIM RING 8X14X1 VERZ.	10
152	1	1381717654	SPINDLE BUSHING RD 16X10 HC260C	12
153	1	1388718389	ADAPTER PLATE, IMPELLER HC260C	12
154	1	7246717669	CHAIN SPROCKET RDA 32,4X15 RDI 8 HC260C	19
155	1	7236717679	ROLLER CHAIN 210 GLIEDER HC260C	31
156	1	1382717682	COVER PLATE BL 2,00X259X415 HC260C	26
157	1	141151940	Washer	10
158	1	1382717690	SETTING BRACKET BL 2,00X52X24 HC260C	13
159	1	1482717701	GUIDE STRIP, RIGHT FL 22X4X190 HC260C	19
160	1	6161063817	HEX. SOCKET SET SCREW, FLAT PT M 6X8 VER	10
161	1	1482717710	GUIDE STRIP, RIGHT FL 20X4X193 HC260C	19
162	1	1383717724	EXTRUSION, CHIP EJECTION HOOD 258 MM HC2	22
163	1	6172015687	CROSS REC'D PAN HEAD TAP.SCREW	10
164	1	1011739691	RECOIL LOCK	35
165	1	1385717748	RECOIL LOCK BAR RD 6X286 HC260C	14
166	1	1011739705	STOP PLATE	27
167	1	6103030259	HEXAGON HEAD SCREW M 8X80 VERZ.	10
168	1	1382717763	CHIP GUIDE PLATE BL 2,00X45X309,5 HC260C	18
169	1	1485717770	SPACER SHAF RD 20X295 HC260C	22
170	1	7246717782	DRIVE CHAIN SPROCKET RD 32,4X95, HC260C	18
171	1	6202002291	HEXAGON NUT, PREV. TORQUE TYPE	10
172	1	1385717799	THREADED BOLT RD 13X20 8h9 M 6 HC260C	12
173	1	1382717801	CHAIN TENSION PLATE BL 2,5X25X76 HC260C	12
174	1	1381717816	DUST EXTRACTION OUTLET HC260C	30
175	1	141114010	Cheese-head screw	10
176	1	6123662723	RAISED CHEESE HEAD SCREW M 5X8 VERZ.	10
177	1	141114010	Cheese-head screw	10
178	1	1381717824	CHIP EJECTION HOOD HC260C	29
179	1	1485718407	SPACER SHAF HC260C	25
180	1	8116718414	SWITCH HC260C	27
181	1	7050718420	SPRING HC260C	11
182	1	1388718435	SCHALTNOCKEN HC260C	15
183	1	1382718441	SWITCH PLAT HC260C	21
184	1	6161063817	HEX. SOCKET SET SCREW, FLAT PT M 6X8 VER	10

185	1	1382718450	STEUERNOCKEN HC260C	13
186	1	1388718460	SELECTOR FOR HC260C	14
187	1	1382718476	BRACKET HC260C	14
188	1	1388718486	SCHALTBLOCK HC260C	23
189	1	141130070	Hexagonal nut	10
190	1	6123662723	RAISED CHEESE HEAD SCREW M 5X8 VERZ.	10
191	1	6134718496	RAISED CHEESE HEAD SCREW HC260C	11
192	1	1332718505	CAPACITOR CLAMP HC260C	12
193	1	8050718515	CAPACITOR HC260C	31
194	1	1388718524	LEVER HC260C	11
195	1	6134718534	RAISED CHEESE HEAD SCREW HC260C	11
196	1	7050718543	SPRING HC260C	13
198	1	1011718554	BRACKET HC260C	29
200	1	1381717832	END CAP HC260C	12
201	1	1380717847	FENCE SEGMENT HC260C	18
202	1	1381717859	GLIDE SEGMENT HC260C	12
203	1	6103001216	HEXAGON HEAD SCREW M 8X50 VERZ.	10
204	1	1383717864	FENCE EXTRUSION 650 MM HC260C	34
205	1	6110000608	CUP SQUARE NECK SCREW	10
206	1	1381717875	END CAP HC260C	11
207	1	1383717880	CUTTERBLOCK GUARD 360 MM HC260C	25
208	1	1381717891	RATCHET LOCK LEVER HC260C	14
209	1	6201002131	CAP NUT M 8 VERZ.	10
210	1	1380717901	BRACKET, PRESSURE ROLLER HC260C	20
211	1	1381717913	GUARD EXTRUSION END CAP HC260C	11
212	1	6174001900	COUNTERSUNK HEAD TAPPING SCREW	10
213	1	1382717925	SIDE PANEL LID BL 2X30X153 HC260C	13
214	1	6143025088	RAISED CHEESE HEAD SCREW M 4X8 VERZ. DUO	10
215	1	1382717933	V-BELT GUARD 1,5X164,5X261,5X345 HC260C	27
216	1	6305002486	Washer	10
217	1	7006717947	RATCHET LOCK LEVER, FEMALE M 8 HC260C	19
218	1	1381717956	PLASTIC WASHER RD 20/RD 8 L=6 HC260C	11
219	1	1380717960	ANGLE BRACKET, FENC HC260C	25
220	1	1380717979	GUIDE SEGMENT HC260C	19
221	1	6103001356	HEXAGON HEAD SCREW M 6X16 VERZ.FLECKBESC	10
222	1	141150010	Washer	10
223	1	6143025088	RAISED CHEESE HEAD SCREW M 4X8 VERZ. DUO	10
224	1	1392017603	COVER PLATE BL 2,00X188X190	23
225	1	1381717999	PVC PRESSURE SPRING 22X13X130 HC260C	16
226	1	1381718006	GUARD SETTING LEVER HC260C	19
227	1	6127043580	HEXAGON SOCKET HEAD CAP SCREW M 10X16 VE	10
228	1	1482718015	PRESSURE PLATE BL 2,99X15,5X36 HC260C	12

229	1	1485739714	SETTING ROD, COGGED	23
230	1	1381718030	CAP HC260C	20
231	1	6134151119	CROSS REC'D OVAL HEAD SCREW M 6X20 (22)	10
232	1	6306002170	SHIM RING 10X16X1 VERZ.	10
233	1	1482718040	CAM LEVER BL 4X50X165 HC260C	16
234	1	1482718058	CAM LEVER BL 4X50X165 HC260C	17
235	1	7240718060	POLY-RIB PULLEY RDA 42X18 HC260C	21
236	1	1380718070	CONROD BEARING SHELL HC260C	19
237	1	7632718564	O-RING HC260C	11
238	1	7100017703	DEEP GROOVE BALL BEARING 17X40X12 6203-2	20
239	1	1385718086	FENCE BASE PLATE RD 10X75 HC260C	14
240	1	2380718092	FENCE BRACKET HC260C	20
241	1	6103001135	Hex head screw	10
242	1	6110015990	Truss head screw	10
243	1	7246718100	DRIVE CHAIN SPROCKET RD 67,5X16 HC260C	16
244	1	6503001665	CLAMPING SLEEVE 4X20	10
245	1	1385718116	BOLT RD 16X60,5 HC260C	13
246	1	7051718121	TORSION SPRING HC260C	12
247	1	1482718139	CHAIN TENSIONER FL 20X4X90 HC260C	14
248	1	7236718144	ROLLER CHAIN 74 GLIEDER HC260C	25
249	1	7246718150	CHAIN SPROCKET 29 X 7 HC260C	15
250	1	1385718167	THREADED BOLT RD 14X20 10h9 HC260C	12
251	1	1385718175	BOLT RD 20X64,5 HC260C	15
252	1	1385718183	BOLT RD 20X89 HC260C	16
253	1	7016056183	STARLOCK WITHOUT CAP	10
254	1	6400009900	RETAINING RING FOR SHAFTS 16X1	10
255	1	6306009760	SHIM RING 16X22X1 VERZ.	10
256	1	0911008556	FLAT BELT HC 260	
257	1	7242718199	FLAT BELT PULLEY HC260C	22
258	1	7247718200	GEARWHEEL Z=80/M=1,5 Z=15/T=8 HC260C	19
259	1	7053718218	CUP SPRING 34X12,3X1 HC260C	11
260	1	6209718225	HEXAGON NUT M12 X 1,25 HC260C	11
261	1	1381718235	DRILL CHUCK COVER HC260C	14
262	1	1381718243	DISC GUARD HC260C	29
266	1	6401718573	RETAINING RING HC260C	11
300	1	6442718251	SPACER SLEEVE RD 15/7X16,5 HC260C	11
301	1	141150130	Washer	10
302	1	8131732652	SWITCH SSK DN HC260C 2,2 230V 50Hz ET	46
303	1	6103001178	Hex head screw	10
304	1	1382718263	SIDE PANEL BL 1,50X252X438 HC260C	30
305	1	6103001151	Hex head screw	10
306	1	6305002486	Washer	10

307	1	6621009530	BLIND RIVET, MUSHROOM HEAD 6X8 F FLACHRU	10
308	1	1382718271	FRONT PANEL BL 1,5X252X458 HC260C	29
309	1	7233066820	POLY-RIB BELT 5 PJ 864 CA.72 SHORE A	22
310	1	141114860	Hexagon head screw	12
311	1	7240718299	POLY-RIB PULLEY RDA 90X30,5 5JX94 HC260C	27
312	1	6721059322	Parallel key	10
313	1	6121023081	Cap screw	10
314	1	1382718301	MOTOR CARRIER BL 2,99X120X307 HC260C	26
315	1	6110000632	CUP SQUARE NECK SCREW M 8X16 VERZ.	10
318	1	1485718393	SPACER SHAF HC260C	22
319	1	8012718323	ELECTRIC MOTOR 1X230V 50HZ 3000UPM HC260	63
320	1	1382718336	FRONT PANEL BL 1,5X252X458 HC260C	30
321	1	1380718592	SIDE PANEL HC260C	32
332	1	1382718344	LEG BL 2,50X88X563 HC260C	25
333	1	7057718352	RUBBER FOOT HC260C	15



	Litzenfarben	Colour of strands	Couleur des cordons
BK	schwarz	black	noir
WH	weiß	white	blanc
BU	blau	blue	bleu
YE	gelb	yellow	jaune
RD	rot	red	rouge
TR	transparent	transparent	transparent
BN	braun	brown	brun
GY	grau	grey	gris
GNYE	grün-gelb	green-yellow	vert-jaune
BKWH	schwarz-weiß	black-white	noir-blanc
GN	grün	green	vert
OG	orange	orange	orange
VT	violett	violet	violet
TQ	türkis	turquoise	turquoise

	Bedeutung der Kurzzeichen	Meaning of the symbols	Interprétation des symboles
B	Stecker	plug	fiche
C	Kondensator	condenser	condensateur
D	Funkentstördrossel	interference suppression inductance	inductance d'antiparasitage
E	Elektronik-Baustein	electronic unit	unité électronique
I	Induktionsspule	induction coil	bobine d'inductance
K	Klemme	terminal	borne
L	Licht	light	lumière
M	Motor	motor	moteur
O	Überlastschutz	overload cut-out	déclencheur de surintensité
R	Drehrichtungsumschalter	reversing switch	commutateur droite-gauche
S	Schalter	switch	interrupteur
U	Umschalter	change-over switch	commutateur
X	Elektronik-Element	electronic element	élément électronique